



Technical data sheet

U-SBS

Safety backing sheet

DESCRIPTION

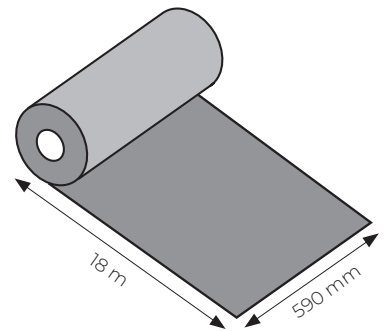
SBS (Safety Backing Sheet) is applied to the back of ceramic tiles (min. 20 mm thick) to prevent the tiles from collapsing in the event of cracks or breaks.

COMPOSITION

Base materials: Silica minerals, asphalt layer, glass base fabric with self-adhesive asphalt layer and protective film on reverse.

CHARACTERISTICS

Thickness:	1,3 mm
Width:	590 mm
Length:	18 m
Weight:	18 kg (+/- 0.5 kg) / roll
Colour:	Black
Composition/nbr. Part:	1



0°C to +35°C



9M

PACKAGING

Sales unit:	Per unit
Palette:	1060 x 1260 x 1345 mm 50 rolls (976 kg)
Packing:	On a roll, wrapped in paper
Stockage:	Indoors from 0°C to +35°C, out of direct sunlight.

APPLICATION

Do not install if temperatures are below +5°C. This product must be applied within 9 months of manufacture.

In cold weather, tile adhesion may be reduced, use a burner or apply hot air to warm the tiles before application. The back of each tile should be thoroughly cleaned to remove dust, sand, loose pieces, oils and other chemicals. The surface must be dry to ensure good adhesion.

The SBS must be 5 mm smaller on each side of the slab. Example: An SBS of 590 x 590 mm should be used for a 600 x 600 mm slab. **Storage and additional information in our installation guide (AIP).**

SAFETY INSTRUCTIONS

Buzon pedestals and accessories are designed to support raised floors used only by pedestrians. They cannot support or be subjected to moving or vibrating machinery and equipment. This includes cars, maintenance vehicles and similar equipment. Always check with the paver supplier that the pavers are suitable for raised pad applications, can accept the load capacity required for your decking application and that all local requirements are met for this type of application. Under no circumstances can BUZON be held responsible for any damage that may result from damaged or fractured tiles.